

# Appendix A – Service Transformation Organogram

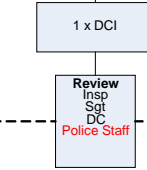
Serving our communities, protecting them from harm

www.west-midlands.police.uk

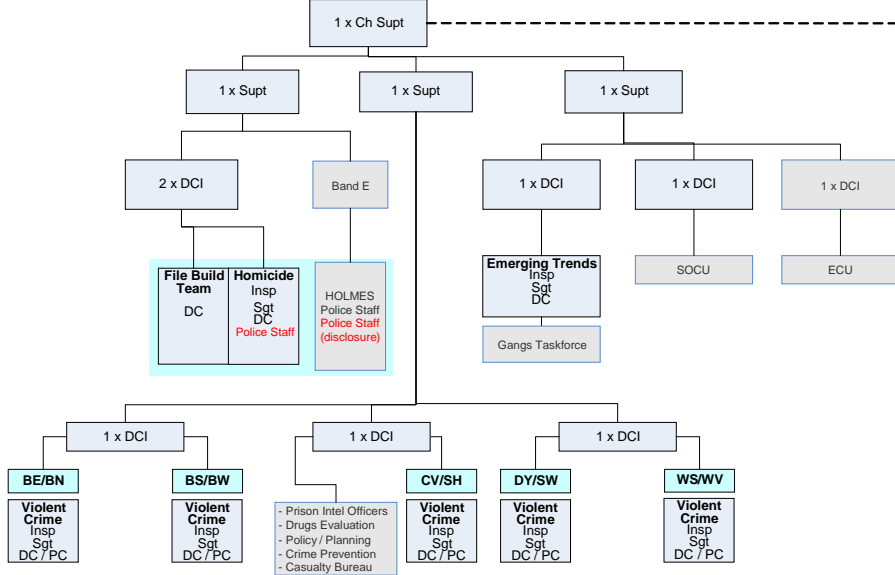


Option 2.12 + FCID Out of Scope

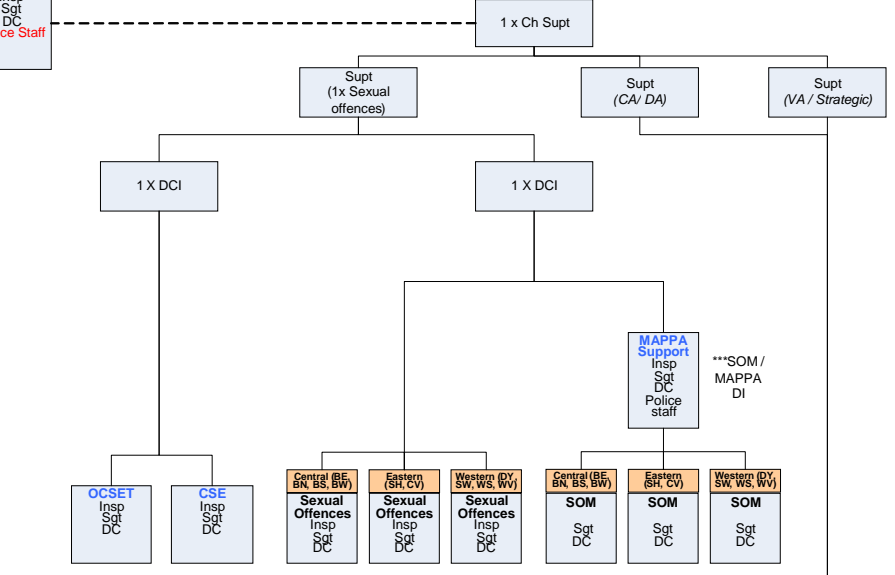
### Sterile Corridor



### Investigation



### Public Protection



BE	BN	BS	BW	CV	SH	DY	SW	WS	WV
LPU LCT	LPU LCT	LPU LCT	LPU LCT	LPU LCT	LPU LCT	LPU LCT	LPU LCT	LPU LCT	LPU LCT
Local Inv Team Acquisitive & Volume Insp Sgt DC / PC (Inc SR)	Local Inv Team Acquisitive & Volume Insp Sgt DC / PC (Inc SR)	Local Inv Team Acquisitive & Volume Insp Sgt DC / PC (Inc SR)	Local Inv Team Acquisitive & Volume Insp Sgt DC / PC (Inc SR)	Local Inv Team Acquisitive & Volume Insp Sgt DC / PC (Inc SR)	Local Inv Team Acquisitive & Volume Insp Sgt DC / PC (Inc SR)	Local Inv Team Acquisitive & Volume Insp Sgt DC / PC (Inc SR)	Local Inv Team Acquisitive & Volume Insp Sgt DC / PC (Inc SR)	Local Inv Team Acquisitive & Volume Insp Sgt DC / PC (Inc SR)	Local Inv Team Acquisitive & Volume Insp Sgt DC / PC (Inc SR)

- Other Out of Scope Teams**
- Coroners
  - Metal Theft Task Force
  - Regional Asset Recovery
  - Economic Crime (ECU)
  - Payback (ECU)
  - Volume Fraud (ECU)
  - Proactive Services (Intel)
  - NABIS
  - High Tech crime (FSI)
  - Concord

